

Specification sheet – Profile rail guide LLT

Please complete the form with all available information and send it to your Ewellix representative or authorized distributor for product selection.

Ewellix contact	Date
-----------------	------

General information

Customer

Company		
Address 1		
Address 2		
Post code / Zip	City	State
Country		

Contact

Contact name	
Job title	
Department	
Phone (including country code)	Mobile (including country code)
Mail	

Project title

Reason for request

Current product / brand	Description	
<input type="radio"/> Replacement	<input type="radio"/> New design	<input type="radio"/> Other

Application / Industry

<input type="radio"/> Factory automation	<input type="radio"/> Food and beverage	<input type="radio"/> Machine tools	Description
<input type="radio"/> Medical	<input type="radio"/> Semiconductor	<input type="radio"/> Other	

Export control and Ewellix policy (mandatory to mark)

<input type="radio"/> The application is not subsidiary or part of industry of national defence and/or nuclear (also not with details of the function). The application is civil.

Commercial information

General

<input type="radio"/> One shot business	Quantity, pcs	Batch size, pcs	Start of supply, YYYY MM DD	Target price / each	Currency
<input type="radio"/> Yearly repeating business					

Applications description

Specification sheet – Profile rail guide LLT

Stroke	Rail length	Center distance between		or Short part dimensions		Guiding system
mm	mm	carriages, c	rails, d	Length	Width	Maximum height
		mm	mm	mm	mm	mm
						<input type="radio"/> No constraints

Required service life distance or time (fill in all fields)				Required static safety (in accordance to your business and application)	
Distance	Total time	Period of one cycle	Stroke of one cycle		
km	h	s	mm		

Maximum speed ¹⁾	Maximum acceleration ¹⁾	Rigidity of guiding system	Running accuracy of guiding system
m/s	m/s ²	N/μm	Parallelism in height
			μm
		<input type="radio"/> No specific requirements	Parallelism in sideward direction
			μm

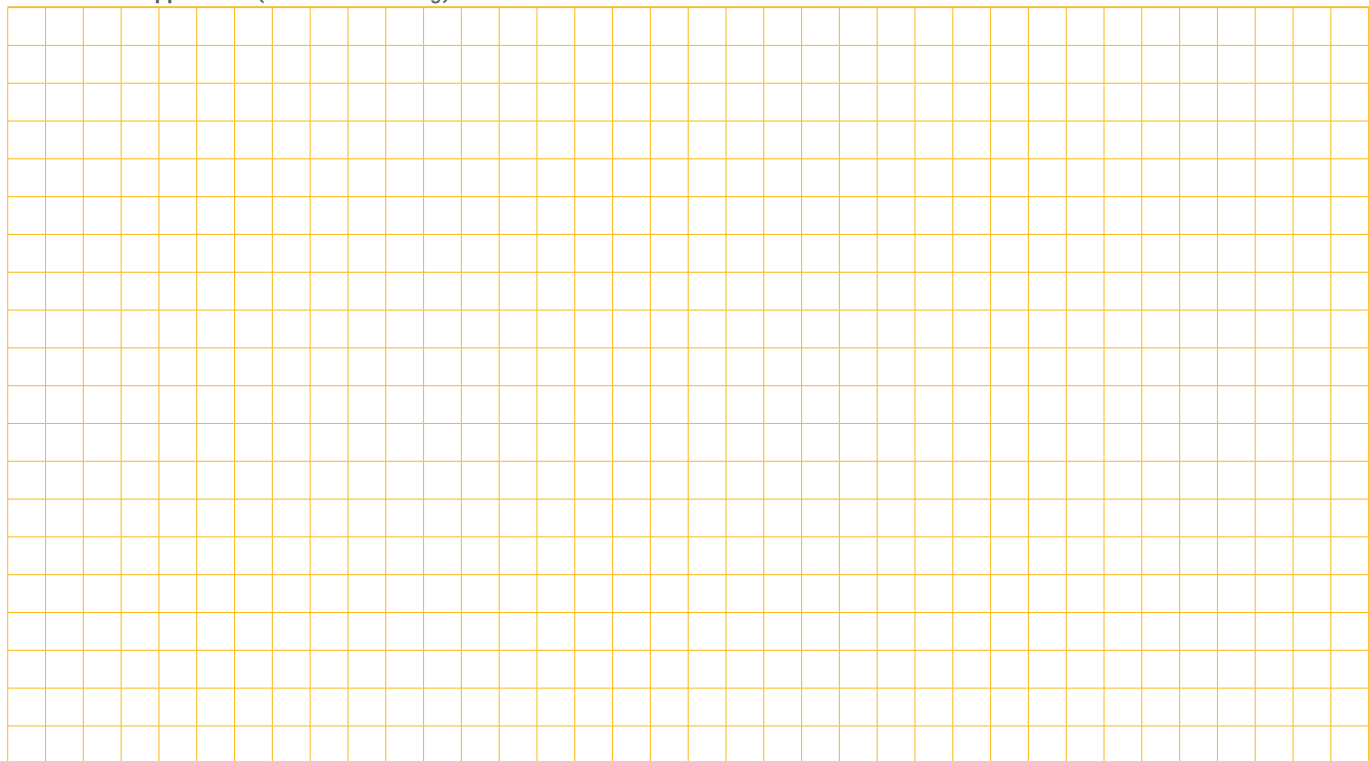
¹⁾ Here the maximum values. Enter load phase specific values in table "External loads and load phases"

Environment		
Presence of dust, dirt or fluids <input type="radio"/> Clean environment, e.g. laboratory <input type="radio"/> Standard industrial environment <input type="radio"/> Dirty environment, e.g. milling machine	Requirements on friction <input type="radio"/> Lowest possible friction <input type="radio"/> Standard friction <input type="radio"/> No requirement	Preferred sealing version <input type="radio"/> Low friction shield (S0) <input type="radio"/> Standard sealing <input type="radio"/> Scraper plate (S1) <input type="radio"/> Additional front seal (S7) <input type="radio"/> Seal kit (S3) <input type="radio"/> Bellow
<input type="radio"/> Humid or corrosive environment If yes, please describe:	Preferred material <input type="radio"/> No preference (standard) <input type="radio"/> Coated steel	

Temperature [°C]			<input type="radio"/> Shock loads or vibrations
Minimum	Operating	Maximum	If yes, please describe:

Lubricant	<input type="radio"/> Other
<input type="radio"/> Standard prelubrication by Ewellix , as stated in the catalogue.	Please specify:

Sketch of the application (or attach a drawing)



Product details

Product designation (if already known)

Carriage type



Rail type



Preload class

<input type="radio"/> T0 (Zero preload)	<input type="radio"/> T1 (Light preload 2% C)	<input type="radio"/> T2 (Medium preload 8% C)
-----------------------------------------	-----------------------------------------------	------------------------------------------------

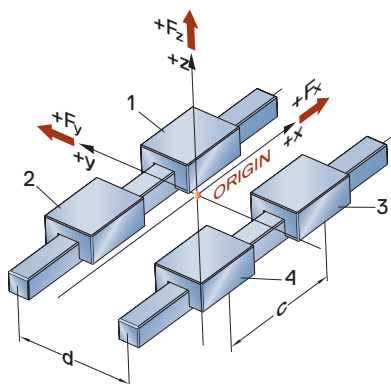
Precision class

<input type="radio"/> P5 (Standard)	<input type="radio"/> P3 (Medium)	<input type="radio"/> P1 (High)
-------------------------------------	-----------------------------------	---------------------------------

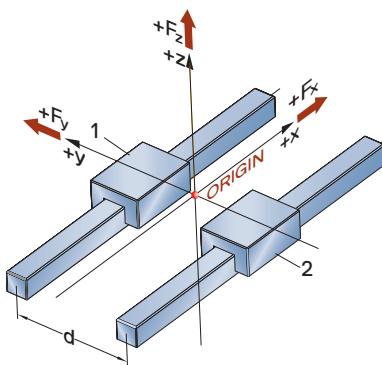
Needed accessories (for details see Exellix publication Profile rail guides LLT)

- Adapter plate (LLTHZ PL)
- Lubrication connector (LLTHZ VN UA)
- Lube element (LLTHZ S6)
- Assembly tool for metal plugs (LLTHZ D6)

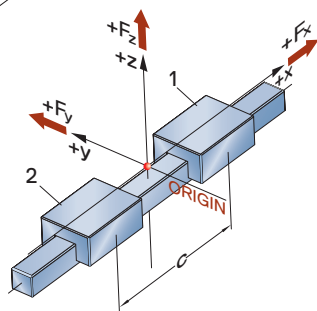
Input for dimensioning calculation



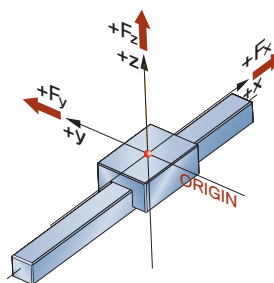
Config 24



Config 22



Config 12



Config 11

- No preference
 Other

If yes, please describe:

Moving direction (set coordinate system accordingly)

- Horizontal Vertical Other

External loads and load phases

Forces in N, Lever arms in mm measured from defined origin (see graphics above). If the application has more than 3 load phases, please copy this page.

Load phase 1			
Stroke	mm		
Acceleration	mm/s ²		
Speed	m/s		
Lever arms in			
Force F _x	y	z	
Force F _y	x	z	
Force F _z	x	y	

Load phase 2			
Stroke	mm		
Acceleration	mm/s ²		
Speed	m/s		
Lever arms in			
Force F _x	x	y	z
Force F _y	x	z	
Force F _z	x	y	

Load phase 3			
Stroke	mm		
Acceleration	mm/s ²		
Speed	m/s		
Lever arms in			
Force F _x	x	y	z
Force F _y	x	z	
Force F _z	x	y	