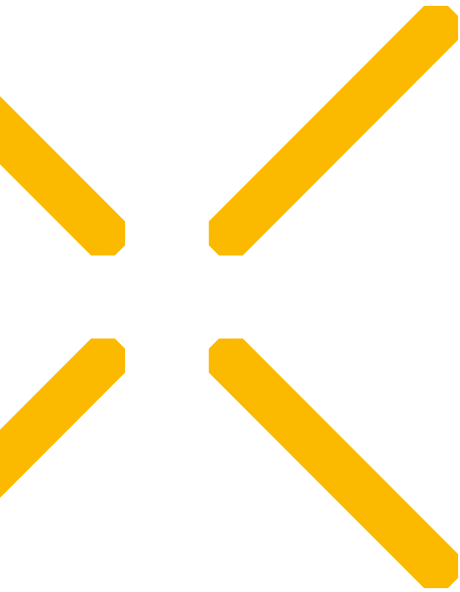


EWELLIX

MAKERS IN MOTION



Safety and reliability in motion

Ewellix capabilities for health care equipment



Heritage of innovation for technology leadership

Ewellix is a global innovator and manufacturer of linear motion and actuation solutions. Today, our state-of-the-art linear solutions are designed to increase machine performance, maximise uptime, reduce maintenance, improve safety and save energy.

Technology leadership

Our journey began **over 50 years** ago as part of the SKF Group, and our history with SKF provided us with the **expertise to continuously develop new technologies** and use them to create cutting edge products that offer our customers a competitive advantage.

In 2019, we became independent from SKF and changed our name to Ewellix. **We are proud of our heritage.** This gives us a unique foundation on which to build an agile business with engineering excellence and innovation as our core strengths.

Global presence and local support

With our **global presence**, we are uniquely positioned to deliver **standard components and custom-engineered solutions**, with full technical and applications support around the world. Long standing relationships with our distributor partners allow us to support customers in a variety of different industries. At Ewellix, we don't just provide products; **we engineer integrated solutions** that help customers realise their ambitions.



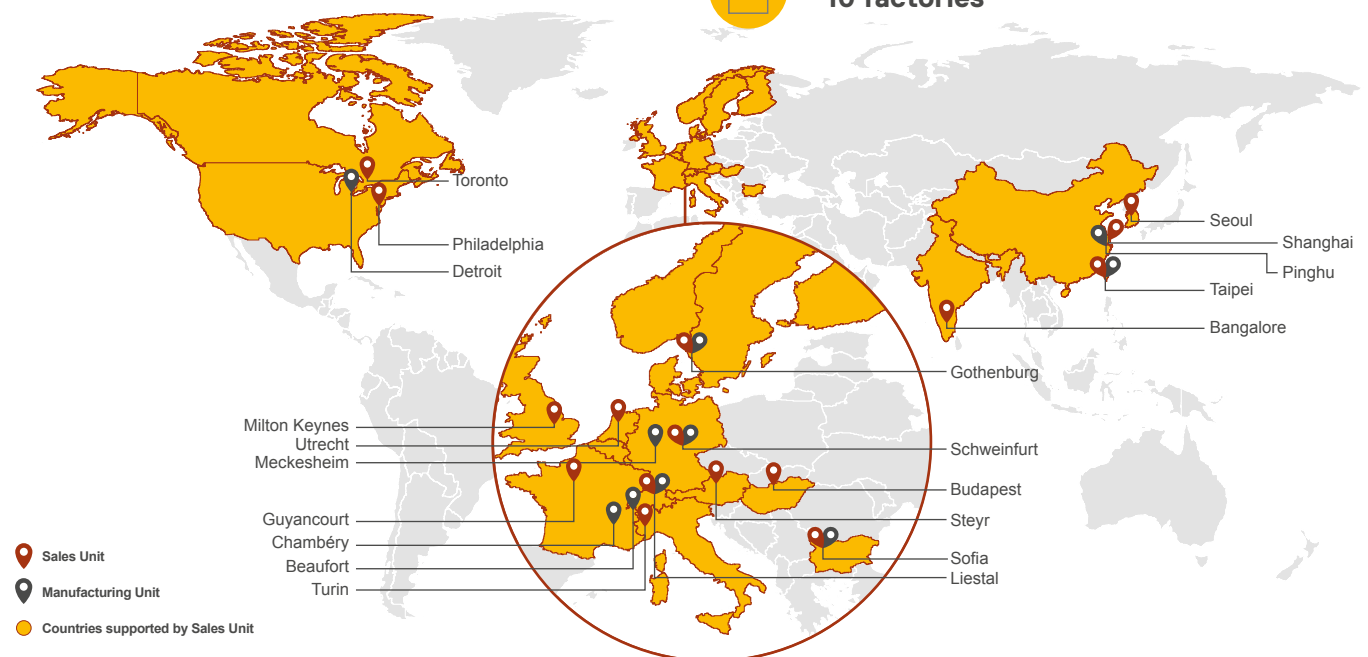
1 200 employees



16 sales units



10 factories



Need an equipment motion specialist? Ewellix brings a lot to the table

Aging, obesity, and the increased population, along with rising costs and decreasing expenditures, coupled with disease prevention. All of these are growing challenges for today's health care industry.

To meet these challenges, today's medical equipment needs to enable faster, safer, more reliable diagnostics and treatments. Also keeping in mind that the equipment must be easy to use and ergonomically comfortable for both patient and caregiver.

To bring such equipment to market, medical OEMs need suppliers that can deliver the highest levels of component quality, as well as a combination of linear and rotary motion expertise. Familiarity and conformance with industry regulations and standards is also key.

As a global leader in telescopic pillars, Ewellix offers a range of actuation and guiding systems. From design verification to delivery, Ewellix works together with OEMs to provide a range of next-generation health care equipment.



For example, Ewellix provides testing support during design, preproduction and production, and can help OEMs meet all requirements for industry norms and standards, including:

- **Optimum safety and reliability**
- **Conformance with standards like UL and EN**
- **Outstanding performance products**

Meet your challenges with Ewellix
Working with Ewellix, equipment manufacturers can leverage our linear and rotary motion expertise to meet a complete range of design goals to benefit both medical specialists and patients.

Benefits

- Operational flexibility
- Smoother operation
- Improved ergonomics
- Contamination resistance
- Higher positioning accuracy
- Greater motion range for improved patient access
- Programmable functions

Using Ewellix knowledge to create the next generation of medical equipment

Developing equipment that meets the requirements of health care providers and patients requires a level of industry knowledge that most component manufacturers cannot provide. Then there's Ewellix.

Backed by deep industry expertise and close working relationships with top medical equipment manufacturers, Ewellix offers a unique understanding of today's application require-

ments. Combined with our linear and rotary motion expertise, it's allowing us to develop safer, more reliable and more ergonomic equipment.

Surgical table and tools

Challenges

Increased motion functionality, clean surfaces, no contaminants

Ewellix solutions

For surgery tables, Ewellix offers reliable and long-lasting solutions including a wide range of pillars and actuators for height adjustment, Trendelenburg and backrest movements. Ewellix also provides customized sealing solutions that offer reliable performance to prevent contamination. The applications include surgical tools and other medical devices.



Incubators

Challenges

Silent motion, soft starts/stops, optimized design

Ewellix solutions

Ewellix offers low noise and virtually vibration-free pillars that support the ergonomics of the operators while delivering reliable functionality.



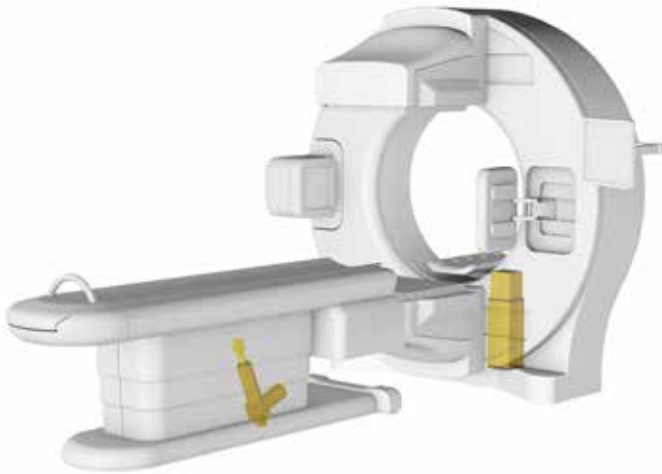
Tomography equipment (CT, PET, SPECT)

Challenges

Escalating patient weight and increasing regulations require improvements in equipment flexibility and productivity for improved patient throughput time, comfort and safety.

Ewellix solutions

Ewellix actuators and pillars enable accurate, low-noise lifting. Low-friction profile rail guides provide greater load carrying capacity and precise, smoother movement. Ewellix also offers a wide range of ball and slewing bearings for more effective rotating function.



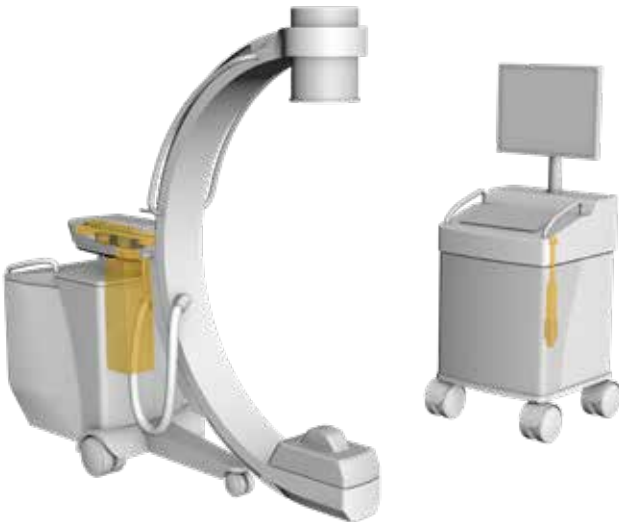
Mobile C-arm

Challenges

Ability to accommodate bigger patients, greater flexibility and more automated functionality

Ewellix solutions

Low-noise, high-torque solutions for mobile C-arms include Ewellix pillars with integrated guiding and lifting functions, and profile rail guides designed to handle large offset loads.



Improved productivity for care providers, improved safety and comfort for patients

Laboratory automation

Challenges

Productivity in faster and flexible testing, less maintenance and longer service life, soft motion

Ewellix solutions

Ewellix guiding, driving and rotational components for high-speed and high-precision positioning operate with low noise and are virtually maintenance-free.



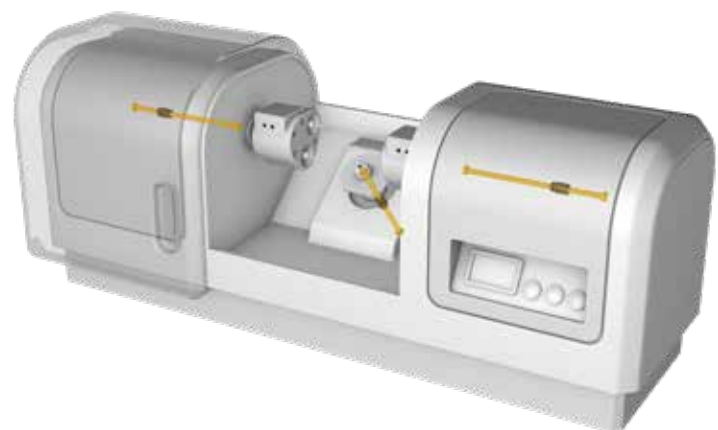
Dental equipment

Challenges

Integrated motion functionality, faster and precise movement

Ewellix solutions

Enabling fast, quiet and precise motion, Ewellix screws, bearings and guiding systems improve equipment reliability and productivity.



Ophthalmic equipment

Challenges

More precise and ergonomic motion combined with programmable and easy-to-use functions

Ewellix solutions

Compact, modern pillar designs offer quiet operation of chairs, tables and devices. The Ewellix range includes special add-ons, such as AC inlets and outlets, integrated control units and handsets. For the measurement equipment, a full range of guiding solutions is available.



Hospital equipment

Challenges

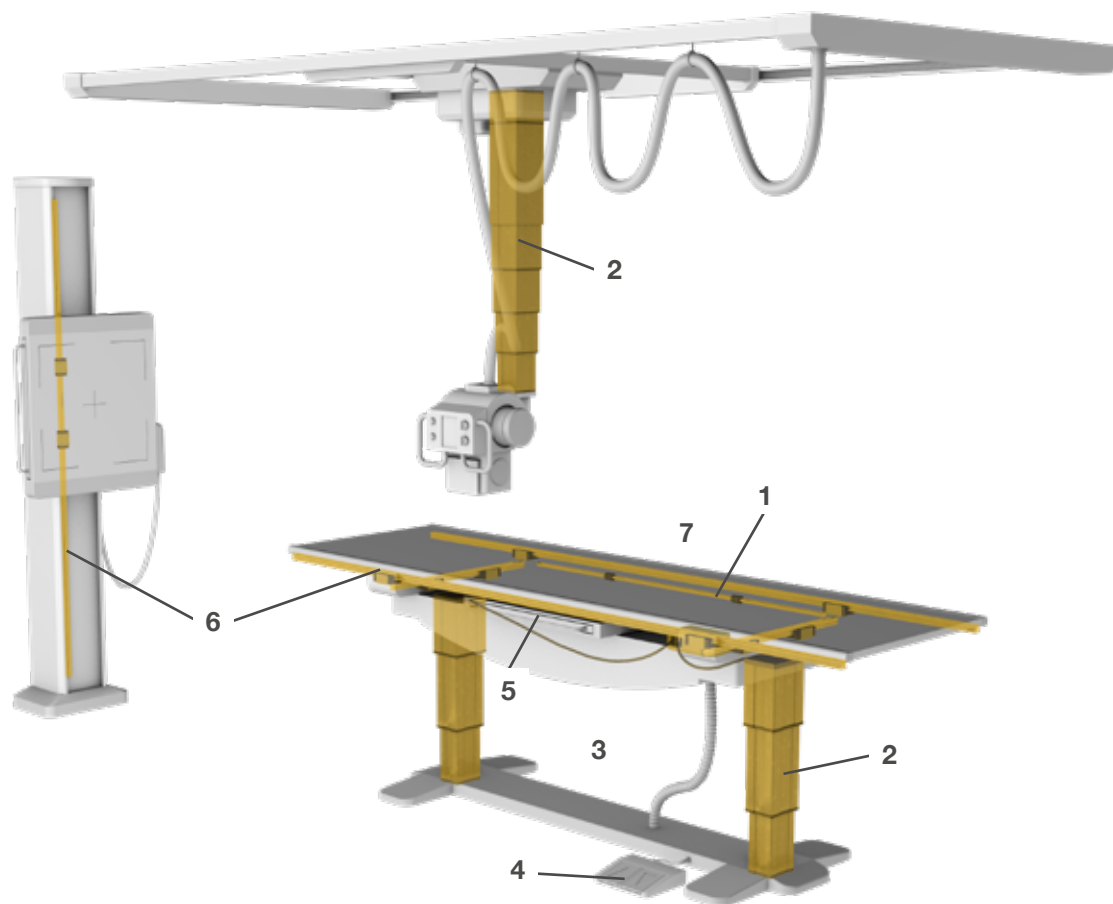
Robust lift motion, easy to clean, complete drive solution package

Ewellix solutions

The extensive range of actuation systems from Ewellix includes a compact design with maximum speed and load capabilities. Smooth, silent function helps to improve patient comfort and ease of use.



Advancing care with solutions for lifting, guiding, turning, sealing and more



This illustration identifies the wide range of application areas in a typical x-ray room where Ewellix solutions can help improve equipment performance.

Driving

1. Ball screws

Featuring high reliability and repeatability, precision Ewellix ball screws increase instrument performance and accuracy. Customized lubrication options enable maintenance-free ball screws for specific applications. Ewellix miniature ball screws deliver smooth, quiet operation for a range of dental and laboratory applications. (→ fig. 7)



Fig. 1

Lifting

2. Telescopic pillars

Ewellix offers telescopic pillars with very low retracted length and EN/UL certification. Able to handle heavy offset loads, robust Ewellix telescopic pillars give OE designers greater flexibility in terms of lift function placement. Providing long stroke length and fast, silent operation, Ewellix pillars incorporate guidance functions within the actuation system. (↳ fig. 2)

3. Linear actuators

Ewellix actuators combine compact design with maximum speed and load capabilities. Smooth, silent operation helps improve patient comfort and ease of operation, while very low retraction and unlimited installation angles allow for greater design flexibility (e.g. scissor lift table). (↳ fig. 3)

4. Handsets and controls

Designed to work with a wide range of pillars and actuators, Ewellix control boxes and handsets put design flexibility and simplicity within reach. Featuring high reliability and long service life, Ewellix boxes and handsets enable precision synchronization and control of multiple actors. Complete component compatibility also helps reduce design and sourcing time. (↳ fig. 3)



Fig. 2



Fig. 3



Fig. 4

Guiding

5. Linear ball bearings

Combining adjustable precision, low friction and long service life, Ewellix linear ball bearings offer designers a flexible, easy-to-integrate solution that is virtually maintenance-free. The miniature linear ball bearing range features robust stainless steel raceways, making them ideal for downsizing linear shafting movements. (↳ **fig. 5**)

6. Profile rails

Ewellix Profile rail guides provide precise, effortless linear positioning of the patient. Designed to handle high operational speeds and heavy loads, these low-noise, low-friction units are easy to mount. Ewellix Profile rail guides are virtually maintenance-free and are available in a wide variety of sizes and types, including a miniature range in stainless steel. (↳ **fig. 6**)

7. Precision rails

Along with the ultra-precise movement that their name implies, Ewellix precision rail guides deliver nearly frictionless movement in linear positioning. Non-recirculating ball and roller guides offer extremely smooth operation and low noise for optimum patient comfort, while the low-friction running guide helps to ensure precise manual positioning. (↳ **fig. 7**)



Fig. 5



Fig. 6



Fig. 7





ewellix.com

© Ewellix

All contents of this publication are the property of Ewellix, and may not be reproduced or given to third parties (even extracts) without permission. Although great care has been taken in the production of this catalog, Ewellix does not take any responsibility for damage or other loss resulting from omissions or typographical errors. The photo may differ slightly in appearance from the actual product. Due to continuous improvements being made in our products, the product's appearance and specifications are subject to change without notice.

PUB EL-02003-EN-November 2019

Certain image(s) used under license from Shutterstock.com.
SKF and SKF logo are trademarks of the SKF Group