

Telescopic pillar CPMB



Universal power supply



Plug and play



Low noise level



Cable through pillar



Soft start and stop control



Standards
IEC 60601-1:2005
(3rd edition) compliant

CPMB

For infant care

Benefits

- Universal power supply
- Plug and play
- Soft start and stop control
- Low noise level
- Cable through pillar
- Grounding continuity

Standards

- IEC 60601-1:2005 (3rd edition) compliant

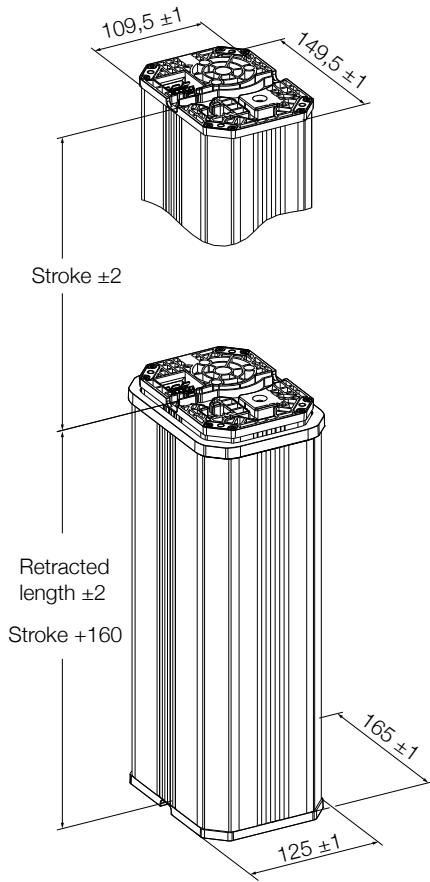


Technical data

	Unit	CPMB1-1	CPMB1-2	CPMB2-2
Rated push load (with self locking)	N	1 000	2 000	2 000
Rated pull load	N	0	0	0
Bending moment (dynamic)	Nm	up to 115 ¹⁾	up to 250*	up to 250 ¹⁾
Speed (full load to no load)	mm/s	14 to 15	11 to 15	11 to 15
Telescopic pillar version	# of section	2-section	2-section	2-section
Stroke	mm	230 to 400	230 to 400	200 to 400
Retracted length	mm	S+160	S+160	S+160
Static Load (Max) in push way	N	8 000	8 000	8 000
Static bending moment (Max)	Nm	500	500	500
Voltage (rated)	V	100–240 AC 50/60 Hz	100–240 AC 50/60 Hz	24 DC
Input current (rated)	A	1,5	1,6	5
Duty cycle: intermittent operation	on/off	1 min./9 min.	1 min./9 min.	1 min./9 min.
Ambient temperature	°C	+10 to +40	+10 to +40	+10 to +40
Type of protection	IP	30	30	30
Protection class	–	I	I	–
Type of control	–	electrical	electrical	electrical
Noise level (Max)	dB(A)	45	45	45
Weight	kg	8 to 11	9 to 12	8 to 11

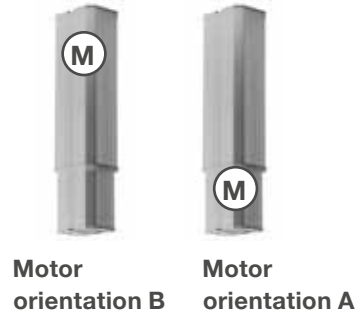
¹⁾ For details, see offset load diagrams (L→ page 4)

Dimensional drawing

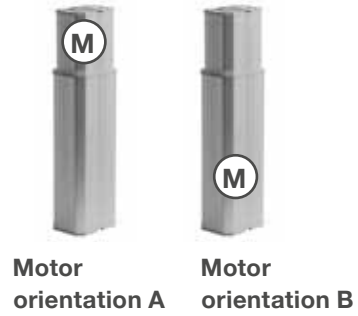


More flexibility with Series CPMB design options

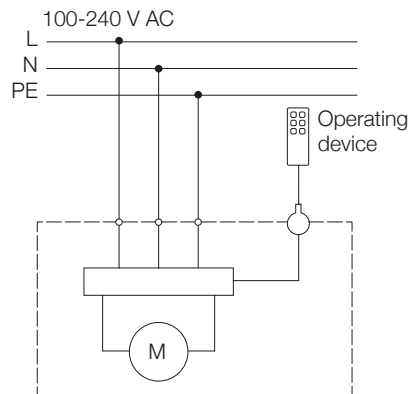
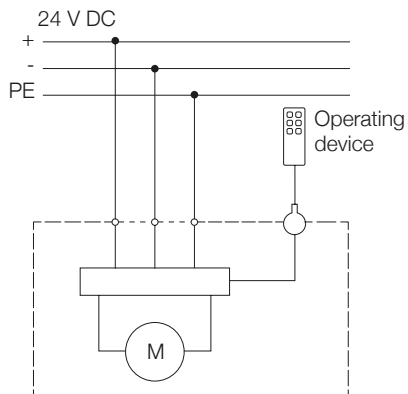
Built-in with outer tube on top
More hygienic and easy-to-clean design



Built-in with outer tube on bottom
More aesthetic design



Connecting diagrams

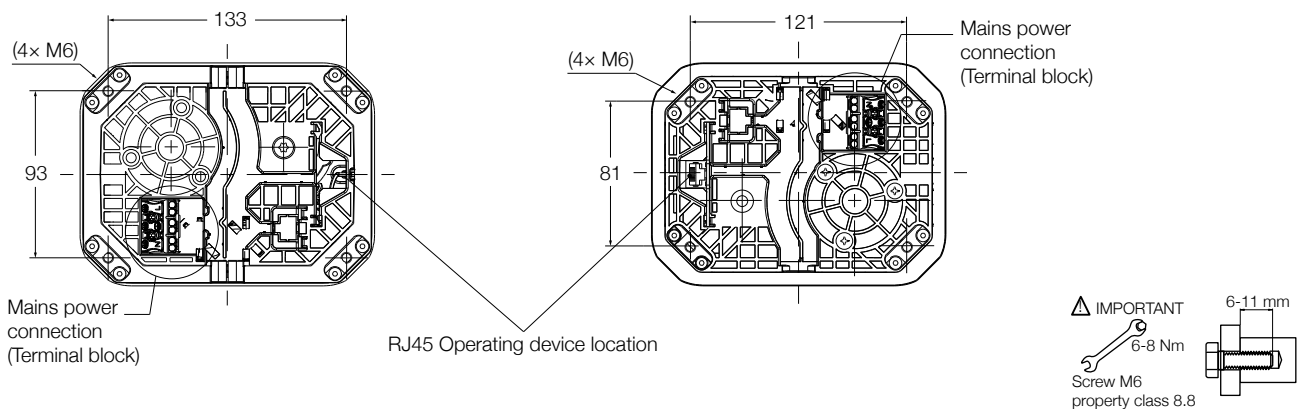


Suitable operating devices

	External power supply 24 V DC	EHA4	STL	STK
CPMB1-1		•	•	•
CPMB1-2		•	•	•
CPMB2-2	•	•	•	•

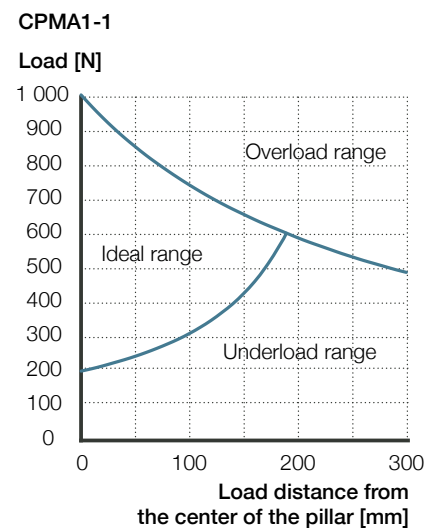
Hand switch
 Foot switch
 Desk switch

Connections and fastening

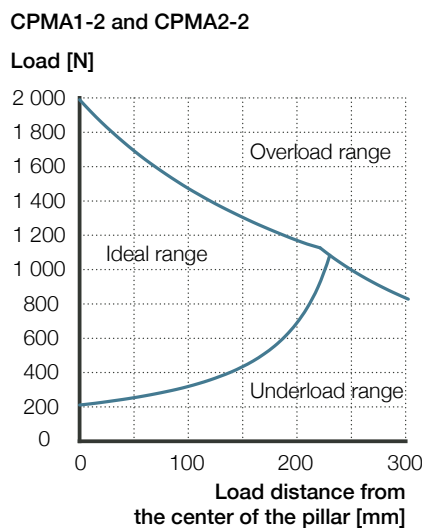


Pillar must be attached on plane and rigid surface by 4 screws M6 with a depth of 6 to 11 mm in the pillar. The total length of the screw must be adjusted to the height of the fixture.

Offset load diagrams

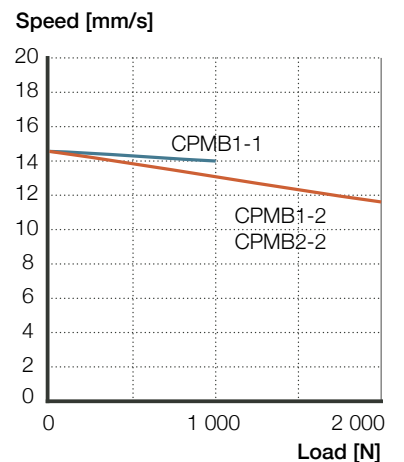


Offset load at full extension in the best axis



Offset load at full extension in the best axis

Performance diagram



— CPMA1-1
— CPMA1-2, CPMA2-2

Inlet socket box – ZDV



Benefits

- Multifunction plug and play accessory
- Detachable mains power cord
- Replaceable fuses
- LAN Connector
- Easy to use
- Cord strain relief

Standards

- IEC 60601-1:2005 (3rd edition) compliant

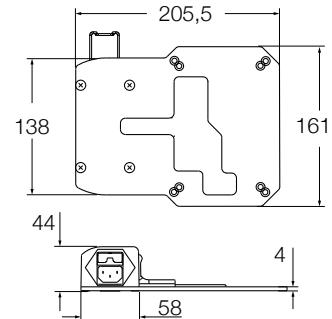
Suitable operating devices

	Pillars	Hand switches	Foot switches	Desk switches	Mains cables	Detachable mains cords
	CPMB1-1 CPMB1-2 CPMB2-2	EHA41-13N10N-000	STL01-GW1000-X190	STK01-SW3000-X100 STK01-UW3000-X100	ZKA-140449-2500 ZKA-140450-2500 ZKA-140451-2500 ZKA-140452-2500 ZKA-140458-2500 ZKA-140460-2500	ZKA-140453-2500 ZKA-140454-2500 ZKA-140455-2500 ZKA-140456-2500 ZKA-140459-2500 ZKA-140461-2500
ZDV-348220-002	• •	•	•	• •		• • • • • •

Technical data

- IEC inlet mains power socket with retainer
- 1 RJ45 for operating device
- 1 RJ45 for LAN
- 2 replaceable fuses 8 A
- Plate with holes as the plates of the pillar CPMA
- Can be fastened on inner and outer tube

Dimensional drawing



Outlet socket box – ZDV



Benefits

- Multifunction plug and play accessory
- 3 IEC outlet sockets
- Replaceable fuses
- Integrated mounting plate
- LAN Connector
- Easy to use

Standards

- IEC 60601-1:2005 (3rd edition) compliant

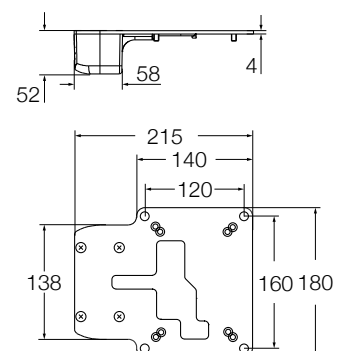
Suitable operating devices

	Pillars	Hand switches	Foot switches	Desk switches	Mains cables	Detachable mains cords
	CPMB1-1 CPMB1-2 CPMB2-2	EHA41-13N10N-000	STL01-GW1000-X190	STK01-SW3000-X100 STK01-UW3000-X100	ZKA-140449-2500 ZKA-140450-2500 ZKA-140451-2500 ZKA-140452-2500 ZKA-140458-2500 ZKA-140460-2500	ZKA-140453-2500 ZKA-140454-2500 ZKA-140455-2500 ZKA-140456-2500 ZKA-140459-2500 ZKA-140461-2500
ZDV-348221-002	• •	•	•	• •		

Technical data

- 3 IEC mains power outlet sockets
- 1 RJ45 for operating device
- 1 RJ45 for LAN
- 2 replaceable fuses 8 A
- Integrated mounting plate with 4 holes 9 mm diameter
- 4 screws to fasten on pillar CPMA
- Can be fastened on inner and outer tube

Dimensional drawing



Mounting plate – ZPL



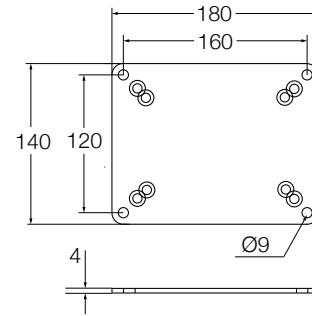
Benefits

- Easy to use

Suitable operating devices

	Pillars		
	CPMA1-1	CPMA1-2	CPMA2-2
ZPL	•	•	•

Dimensional drawing



Technical data

- Can be fastened on inner and outer tube
- Mounting plate with 4 holes 9 mm diameter

Mains cable and detachable mains cord – ZKA

Mains cable



Detachable mains cord



Mains cable

	Pillars			Socket boxes	
	CPMB1-1	CPMB1-2	CPMB2-2	ZDV-348220-002	ZDV-348221-002
ZKA-140449-2500	•	•			
ZKA-140450-2500	•	•			
ZKA-140451-2500	•	•			
ZKA-140452-2500	•	•			
ZKA-140458-2500	•	•			
ZKA-140460-2500	•	•			

Detachable mains cord

	Pillars			Socket boxes	
	CPMB1-1	CPMB1-2	CPMB2-2	ZDV-348220-002	ZDV-348221-002
ZKA-140453-2500	•	•			
ZKA-140454-2500	•	•			
ZKA-140455-2500	•	•			
ZKA-140456-2500	•	•			
ZKA-140459-2500	•	•			
ZKA-140461-2500	•	•			

Benefits

- Easy to use
- Identification by a product label

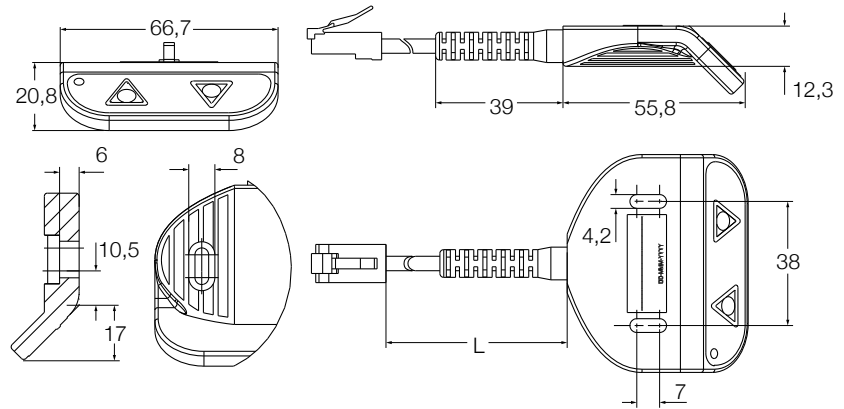
Standards

- IEC 60601-1:2005 (3rd edition) compliant

Desk switch – STK



Dimensional drawing



Benefits

- Easy and precise
- Stylish design
- Tactile buttons with finger guide
- 2 colors LED for power and feedback status

Standards

- IEC 60601-1:2005 (3rd edition) compliant

Suitable operating devices

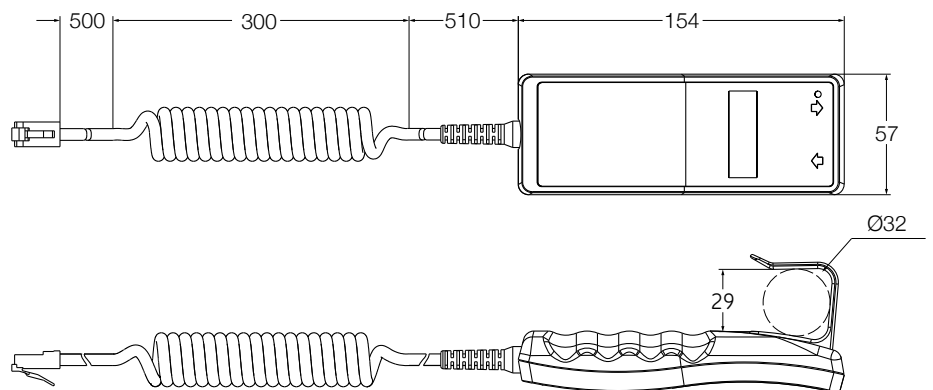
	Pillars			Socket boxes		Designation	L [mm]
	CPMA1-1	CPMA1-2	CPMA2-2	ZDV-348220-002	ZDV-348221-002	STK01-SW3000-X100	500
						STK01-UW3000-X100	1 000

See page 8 and 9 for technical data and ordering key

Hand switch – EHA



Dimensional drawing



Benefits

- Robust ergonomic design
- Tactile buttons
- Easy mountable fastening hook
- 2 colors LED for power and feedback status

Standards

- IEC 60601-1:2005 (3rd edition) compliant

Suitable operating devices

	Pillars			Socket boxes	
EHA	CPMB1-1	CPMB1-2	CPMB2-2	ZDV-348220-002	ZDV-348221-002

See page 8 and 9 for technical data and ordering key

Foot switch – STL



Benefits

- Easy to use
- Ergonomic design

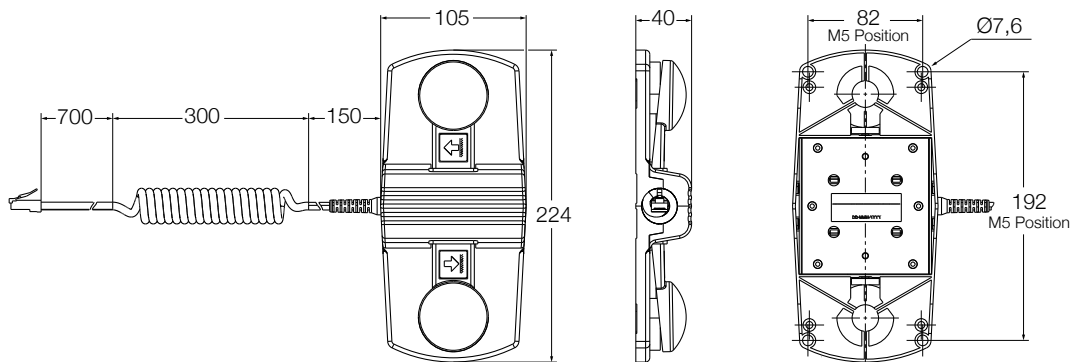
Standards

- IEC 60601-1:2005 (3rd edition) compliant

Suitable operating devices

	Pillars			Socket boxes	
	CPMB1-1	CPMB1-2	CPMB2-2	ZDV-348220-002	ZDV-348221-002
STL01	•	•	•	•	•

Dimensional drawing



Switches technical data

	Unit	EHA4	STL	STK
Max. operating channels	n°	1	1	1
Operating power	V DC/mA	5/20	5/20	5/20
Type of protection	IP	67	x2	–
Color	–	Grey	Grey and anthracite	Grey
Indicator	–	LED 2 colors for power and feedback status	–	LED 2 colors for power and feedback status
Plug	–	RJ45	RJ45	RJ45
Hook	–	with hook	–	–
Symbols	–	with arrows up/down	with arrows up/down	with arrows up/down

Accessories

Description	Plug	Country	Part number	Order Number
Mains cable straight 2,5 m	Schuko	Germany, France, ...	ZKA-140449-2500	130015
	Typ-L	Italy	ZKA-140450-2500	130016
	British standard	UK	ZKA-140451-2500	130017
	NEMA	USA, Japan, ...	ZKA-140452-2500	130018
	SEV	CH	ZKA-140458-2500	130256
	AS 3112	PRC, Australia, ...	ZKA-140460-2500	130391
Detachable mains cord straight 2,5 m (to plug in socket box Inlet)	Schuko	Germany, France, ...	ZKA-140453-2500	130019
	Typ-L	Italy	ZKA-140454-2500	130020
	British standard	UK	ZKA-140455-2500	130021
	NEMA	USA, Japan, ...	ZKA-140456-2500	130022
	SEV	CH	ZKA-140459-2500	130257
	AS 3112	PRC, Australia, ...	ZKA-140461-2500	130392
Desk switch with LED, cable 0,5 m			STK01-SW3000-X100	130025
Desk switch with LED, cable 1,0 m			STK01-UW3000-X100	130026
Handset with LED, cable coiled 1,3 m			EHA41-13N00N-000	131033
Foot switch, cable coiled 1,3 m			STL01-GW1000-X100	131873
Mounting plate			ZPL-348382	130024
Socket box inlet: IEC, RJ45 LAN, RJ45 op. device			ZDV-348220-002	130030
Socket box outlet: 3xIEC, RJ45 LAN, RJ45 op. device			ZDV-348221-002	130032

Ordering key

C P M B - 2 - - - - 0 - 0 0 0

Type _____

Voltage _____

1 100–240 V AC 50/60 Hz

2 24 V DC

Load _____

Push

1 1 000 N Only for AC version

2 2 000 N

Tube set _____

2 2-section

Stroke length _____

200 200 mm Only for DC version

230 230 mm

250 250 mm

300 300 mm

400 400 mm

--- Other per 10 mm from 200 mm or a mm for AC version up to 400 mm

Motor orientation¹⁾ _____

A Motor in inner tube

B Motor in outer tube

Operating device orientation _____

A Operating device socket as the motor

B Operating device socket at both sides

¹⁾ Pillar can be placed with outer tube on the top or bottom (↳ page 3)

■ Options shown in red are only available on request. Contact Ewellix for more information on minimum quantities and additional cost.



ewellix.com

© Ewellix

All contents of this publication are the property of Ewellix, and may not be reproduced or given to third parties (even extracts) without permission. Although great care has been taken in the production of this catalog, Ewellix does not take any responsibility for damage or other loss resulting from omissions or typographical errors. The photo may differ slightly in appearance from the actual product. Due to continuous improvements being made in our products, the product's appearance and specifications are subject to change without notice.

PUB IL-07006/1-EN-March 2020