

Telescopic pillar THG



Compact design



Robust



Standards
EN/IEC 60601-1
UL 60601-1

THG

Telemag telescopic pillar



Benefits

- Compact design
- Robust

Standards

- EN/IEC 60601-1
- UL 60601-1

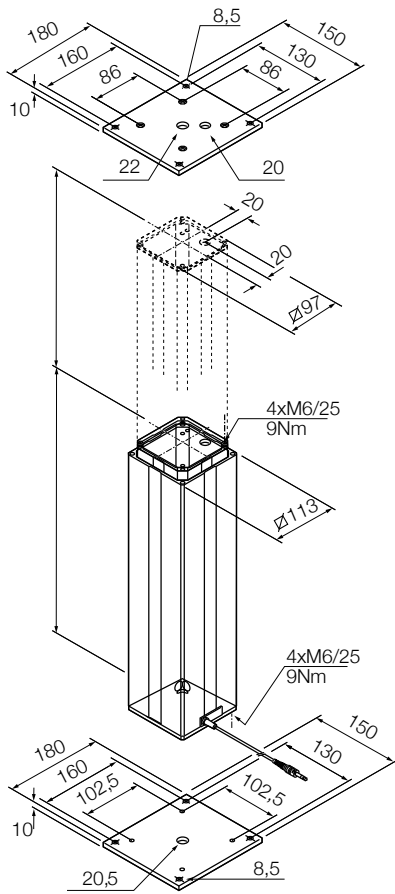
Technical data

	Unit	THG 10/11-BA	THG 10/11-CA	THG 10/11-BD	THG 10/11-CD
Rated push load	N	2 000	1 000	2 000	1 000
Rated pull load	N	0	0	0	0
Bending load	Nm	up to 250 ¹⁾	up to 120 ¹⁾	up to 1 000 ¹⁾	up to 450 ¹⁾
Speed (full load to no load)	mm/s	5 to 7	12 to 15	5 to 7	12 to 15
Telescopic pillar version	# of section	2-section	2-section	3-section	3-section
Stroke	mm	200 to 700	200 to 700	200 to 700	200 to 700
Retracted length	mm	S+270	S+270	S+180	S+180
Voltage	V DC	24	24	24	24
Power	W	120	120	120	120
Current	A	5	5	5	5
Duty cycle: intermittent operation	min.	1 min./9 min	1 min./9 min	1 min./9 min	1 min./9 min
Ambient temperature	°C	+10 to +40	+10 to +40	+10 to +40	+10 to +40
Type of protection	IP	30	30	30	30
Protection class	-	SELV	SELV	SELV	SELV
Type of control	-	electrical	electrical	electrical	electrical
Weight	kg	8 to 14	8 to 14	8 to 14	8 to 14

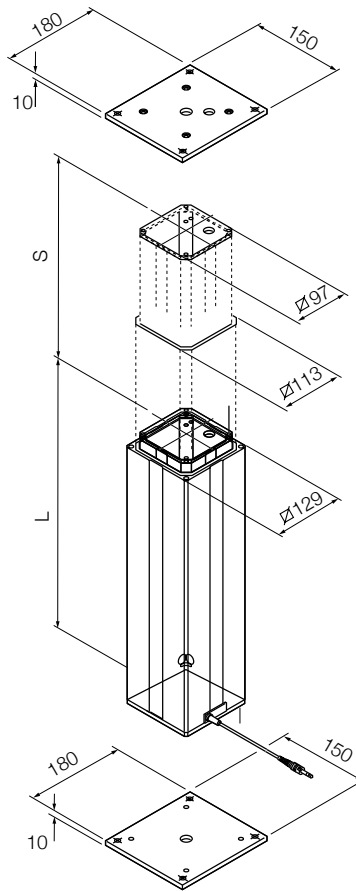
¹⁾ For details, please see bending load diagrams (↳ page 4)

Dimensional drawing

2-section



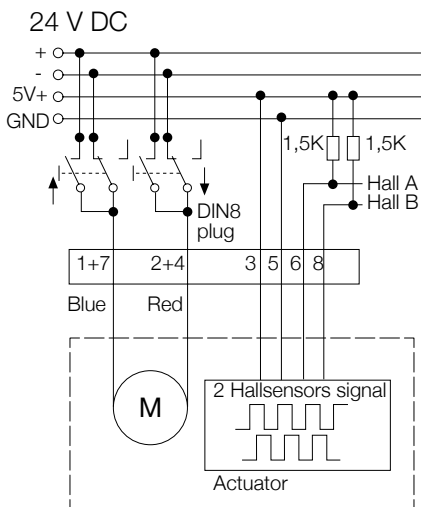
3-section



Note: mounting plates are not included. To be ordered separately.

Legend:
S = stroke
L = retracted length

Connection diagram¹⁾



¹⁾ Only valid with THG11. THG10 must be operated by a BCU, SCU or VCU control unit.

Suitable control units and accessories

THG	Control units			
	SCU	VCU	BCU	MCU
Operating switches				
EHA 1	•	•	•	•
EHA 3	•	•	•	•
STF				•
STJ	•	•	•	
STA				•
STE	•	•	•	

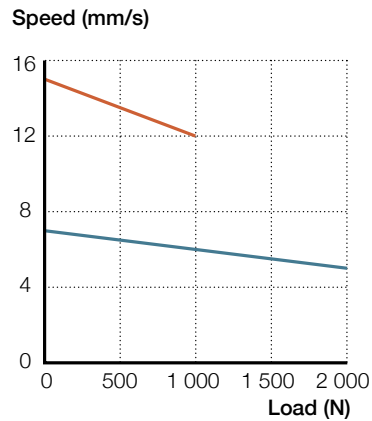
Hand switch

Foot switch

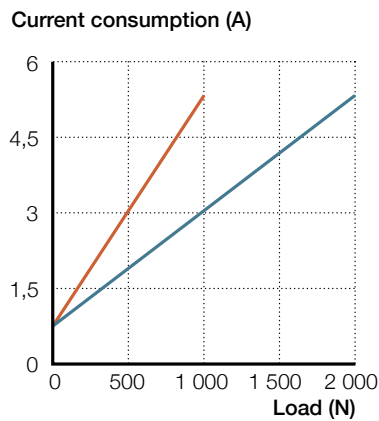
Desk switch

Performance diagrams

Speed-load diagram

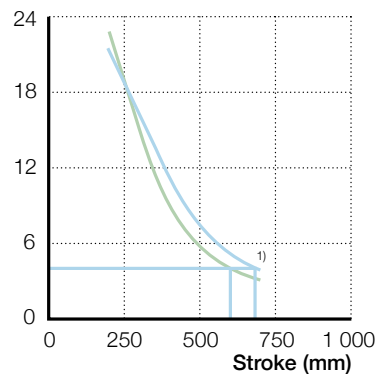


Current-load diagram



Safety factor load conditions

Safety factor (screw buckling)



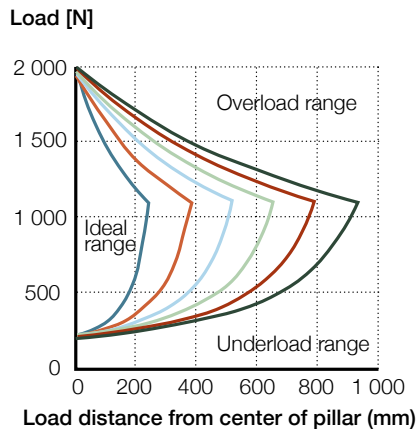
1) Safety factor = 4

— THG...B. — THG...C.

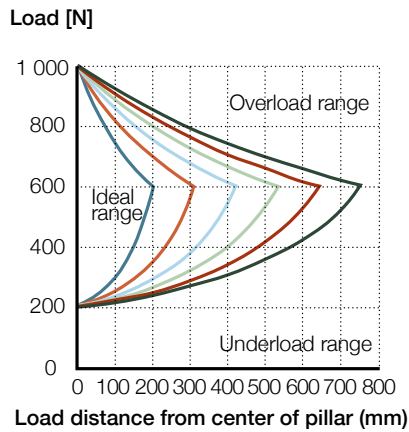
— B/Tr 15x5 — C/Tr 12,5x5

Bending load diagrams

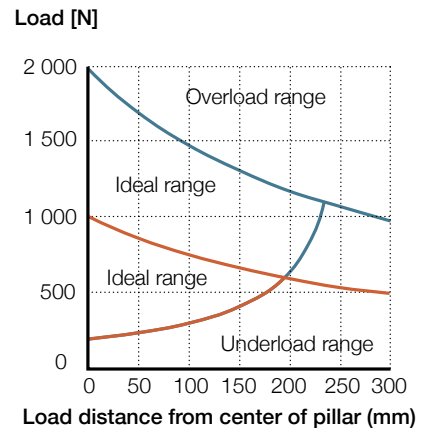
Bending load diagram THG...BD



Bending load diagram THG...CD



Bending load diagram THG...BA/CA



Stroke: — 200 — 300 — 400 — 500 — 600 — 700

— THG...BA — THG...CA

Accessories

	Designation	Order number
Top mounting plate for 2× tube set	SPL-264265	0125688
Bottom mounting plate for 2× tube set	SMT-264363	0124814
Top mounting plate for 3× tube set	SPL-264265	0125688
Bottom mounting plate for 3× tube set	SPL-264237	0125623
Screw (4/plate) for mounting plate	ZBE-510707	0125622
Plug AC Telemag 3 pin	ZBE-510707	0125360

Ordering key

THG 1 - - - - - 0 0 0

Type

Voltage

- 0 24 V DC
- 1 24 V DC with integrated current cut-off

Load

- B 2 000 N
- C 1 000 N

Tube set

- A Tube set 2×
- D Tube set 3×

Stroke (S)

- 2 200 mm
- 3 300 mm
- 4 400 mm
- 5 500 mm
- 6 600 mm
- 7 700 mm

Cable / connecting plug

- 1 Straight, 1,0 m / jack plug
- 2 Straight, 2,3 m / jack plug
- A Coiled, 0,6 m / jack plug
- 3 Straight, 1,0 m / DIN8 plug
- 4 Straight, 2,3 m / DIN8 plug
- B Coiled, 0,6 m / DIN8 plug

Option

- 0 No option 0
- A 1-Hall encoder, 8 pulses, cable with jack plug
- B Potentiometer, 1 k, 2 Watt, 0,25 % linearity, 10 turns (tube set 3 × only)
- C Cable feedthrough, 5 × 0,75 mm², top +160 mm, bottom +800 mm
- D Cable feedthrough, 1-Hall encoder, 8 pulses, cable with jack plug
- E Cable feedthrough, potentiometer (tube set 3 × only)
- F 2-Hall encoder, cable with DIN8 plug
- G Cable feedthrough, 2-Hall encoder, cable with DIN8 plug

■ Options shown in red are only available on request. Contact Ewellix for more information on minimum quantities and additional cost.



ewellix.com

© Ewellix

All contents of this publication are the property of Ewellix, and may not be reproduced or given to third parties (even extracts) without permission. Although great care has been taken in the production of this catalog, Ewellix does not take any responsibility for damage or other loss resulting from omissions or typographical errors. The photo may differ slightly in appearance from the actual product. Due to continuous improvements being made in our products, the product's appearance and specifications are subject to change without notice.

PUB IL-07009/1-EN-March 2020