

## Telescopic pillar Telemag TLT20



Very small built-in dimension



Powerful



High speed



Standards  
EN/IEC 60601-1  
UL 60601-1

# TLT20

## Telemag telescopic pillar

### Benefits

- Very small built-in dimension
- Powerful
- High speed

### Standards

- EN/IEC 60601-1
- UL 60601-1

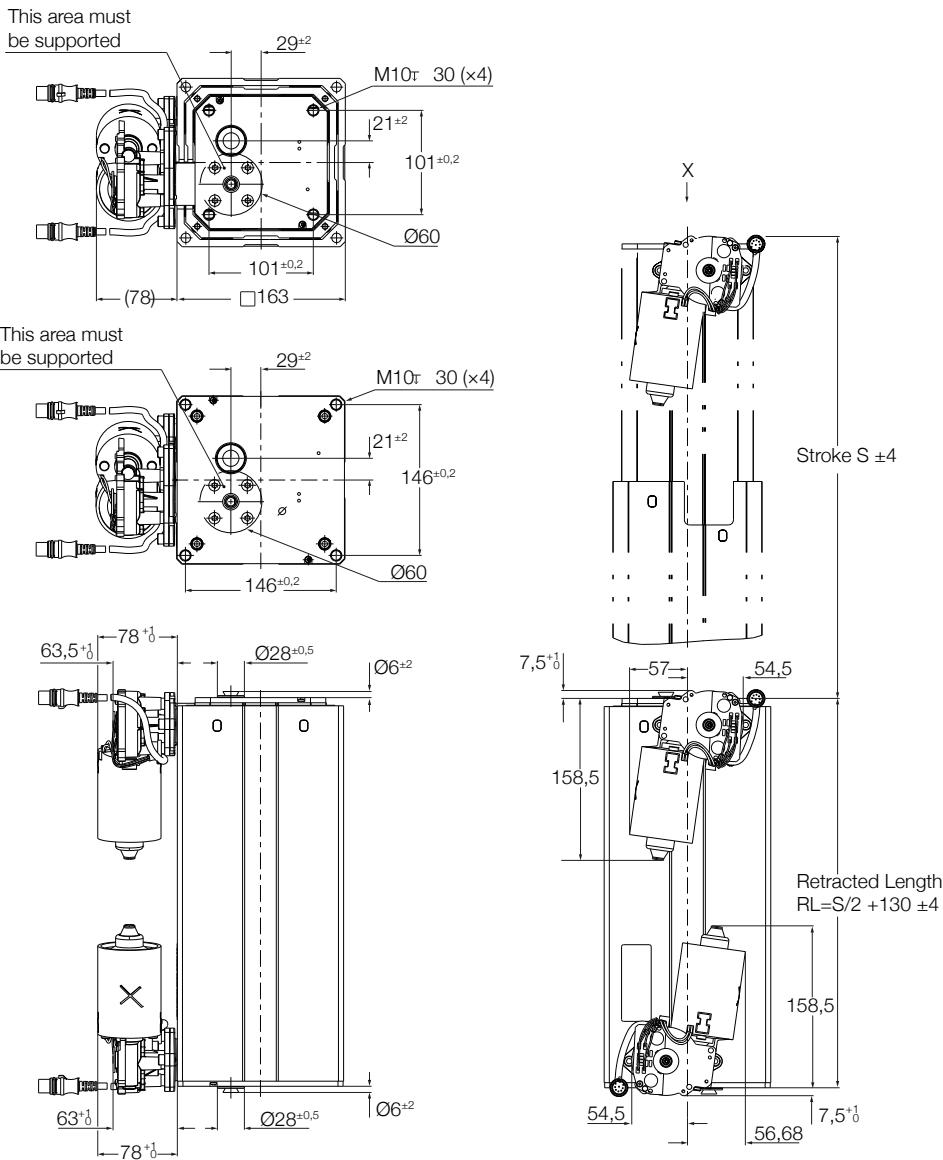


### Technical data

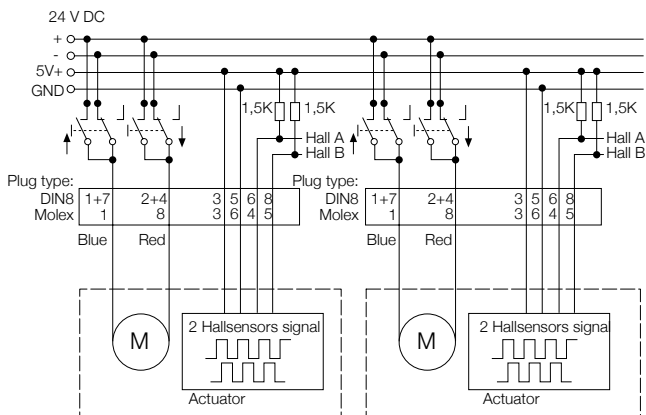
	Unit	TLT20-A3
Rated push load	N	5 000
Rated pull load	N	0
Bending load	Nm	up to 500 <sup>1)</sup>
Speed (full load to no load)	mm/s	18 to 28
Telescopic pillar version	# of section	3-section
Stroke	mm	300 to 700
Retracted length	mm	0,5 × S+130
Voltage	V DC	24
Power	W	312
Current	A	2×6,5
Duty cycle: intermittent operation	min.	1 min./9 min
Ambient temperature	°C	+10 to +40
Type of protection	IP	00
Protection class	–	SELV
Type of control	–	electrical
Weight	kg	15 to 30

<sup>1)</sup> For details, please see bending load diagrams (↳ page 4)

### Dimensional drawing



### Connecting diagrams



### Suitable control units and accessories

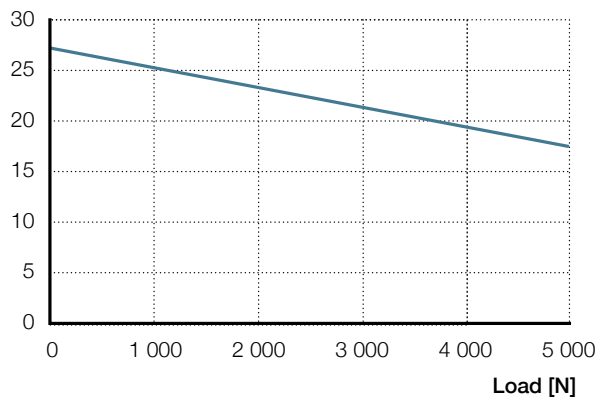
	Control unit							
	SCU 1	SCU 5	SCU 9	VCU 5	VCU 8	VCU 9	BCU 5	BCU 8
TLT	•	•	•	•	•	•	•	•
<b>Operating switches</b>								
EHA 3	•	•	•	•	•	•	•	•
STJ	•	•	•	•	•	•	•	•
STE	•	•	•	•	•	•	•	•

Hand switch    
 Foot switch    
 Desk switch

## Performance diagrams

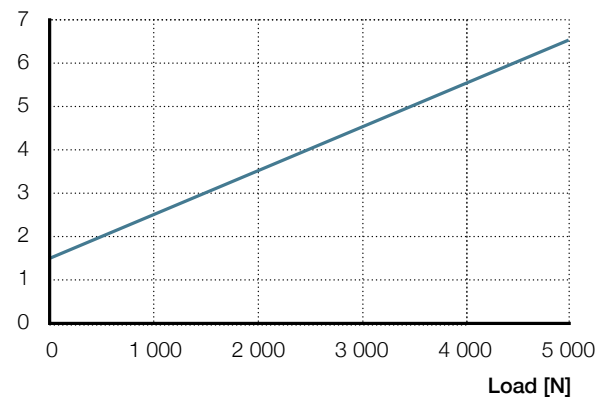
Speed-load diagram

Speed [mm/s]



Current-load diagram

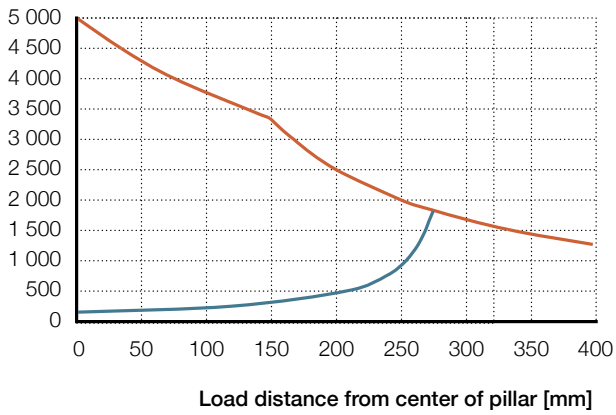
Current consumption [A]



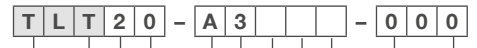
## Bending load diagrams

Bending load diagram

Load [N]



## Ordering key



**Type** \_\_\_\_\_  
**Voltage** \_\_\_\_\_  
 20 24 V DC with 2 external motors

**Load / Speed** \_\_\_\_\_  
 A3 5 000 N / 20 mm/s

**Stroke [S]** \_\_\_\_\_  
 3 300 mm  
 4 400 mm  
 5 500 mm  
 6 600 mm<sup>1)</sup>  
 7 700 mm<sup>1)</sup>  
 X Other (on request only)

**Cable / connecting plug** \_\_\_\_\_  
 D Cable straight with DIN8, length 1 000 mm  
 M Cable straight with Molex Mini-Fit Jr. 8-pin, length 50 mm

**Option** \_\_\_\_\_  
 0 No option  
 F 2-Hall encoder

**7 Customer option** \_\_\_\_\_  
 Consecutive number (provided by Ewellix)

<sup>1)</sup> Reduced safety factor

Options shown in red are only available on demand. Please contact Ewellix for more information on minimum quantities and additional cost.



**ewellix.com**

© Ewellix

All contents of this publication are the property of Ewellix, and may not be reproduced or given to third parties (even extracts) without permission. Although great care has been taken in the production of this catalog, Ewellix does not take any responsibility for damage or other loss resulting from omissions or typographical errors. The photo may differ slightly in appearance from the actual product. Due to continuous improvements being made in our products, the product's appearance and specifications are subject to change without notice.

PUB NUM IL-07024-EN-May 2020